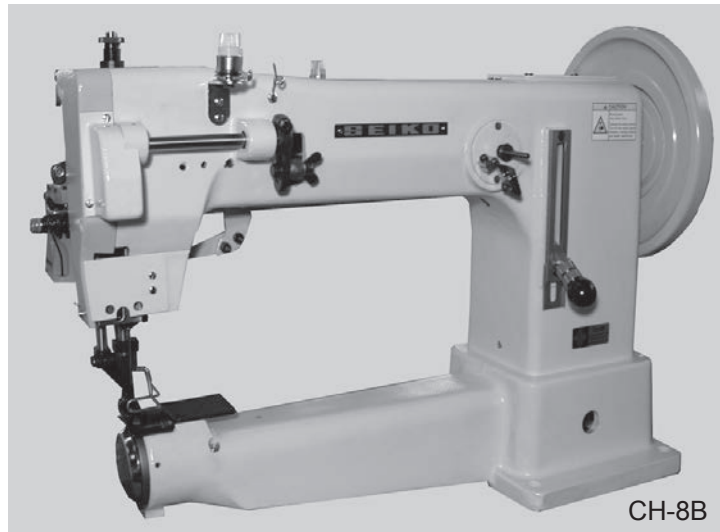


# CH series

Single needle, Extra heavy duty, Large oscillating shuttle hook, Reverse stitch, Long arm, Cylinder bed, Lockstitch machines



CH-8B

## Variety



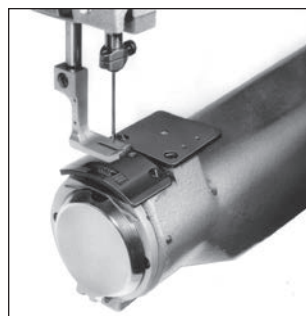
### CH-7B

Compound feed



### CH-8B

Compound feed and walking foot



CH-7B



CH-8B

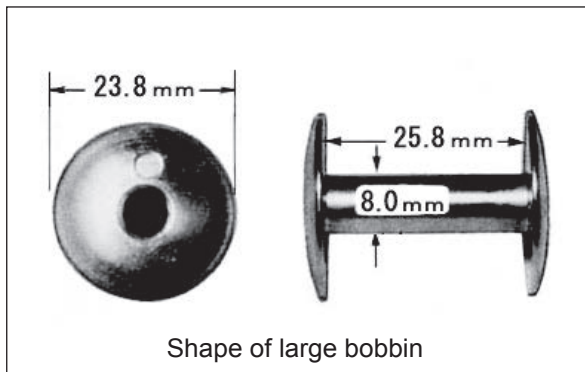
## Applications

- For sewing heavy weight materials such as canvas, vinyl, leather, synthetics and various coated, laminated and rubberized fabrics
- Suitable for sewing tubular and curved work, etc.

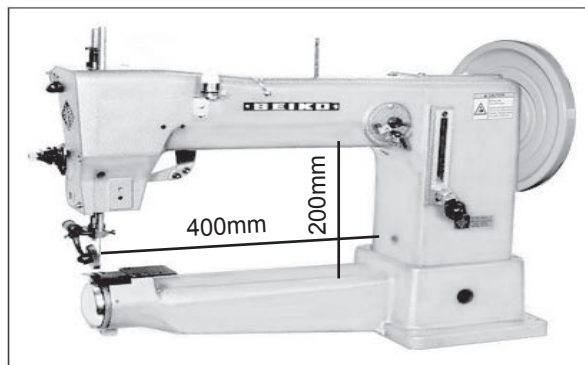


## Features

- Large oscillating shuttle hook.
- Extra long arm. [working space 15-3/4"(400 mm)]
- Extra high presser lift for sewing extra heavy materials.
- Reverse stitching.
- Built-in bobbin winder.



By adoption of large hook, the winding volume of lower thread is increased and due to this feature, the frequency of lower thread replacement is minimized.



The practical use of wide working space(200 × 400), high presser lift amount (20mm by knee lifter) and large hook make it possible wide application for heavy weight materials.

## Specifications (CH-□)

Variety	7B	8B
Number of needle	Single needle	
Max. sewing speed	800 s.p.m.	
Max. stitch length	25/64" (10 mm)	
Clearance under presser foot	by knee	63/64" (25 mm)
	by hand	25/64" (10 mm)
Needle bar stroke	2" (51 mm)	2-13/64"(56 mm)
Needle(standard)	DDx1(#24), 328(#180)	DYx3 (#24), 794(#180)
Hook	Large oscillating shuttle hook	
Amount of lift of walking foot	-	1/8"-15/64" standard 5/32" (3 - 6 mm) (standard 4 mm)
Thread take up lever	Cam type	
Lubrication	Hand type	
Bed size	23-5/8"x 3-15/64" (600 x 82 mm)	
Cylinder size	3-15/64" (82 mm) dia.	
Working space	15-3/4"x 7-7/8" (400 x 200 mm)	
Motor	Clutch motor	

NOTE: (1) Speed depends on threads, materials and type of operation  
(2) Specifications subject to change without notice



**SEIKO SEWING MACHINE CO., LTD.**

2-13-6, Sakaecho, Funabashi-shi  
Chiba Prefecture, 273-0018, Japan

Phone : +81-47-420-3561 (Overseas dept.)

Fax : +81-47-420-3560

E-mail : export@seiko-sewing.co.jp

Printed in Japan 2015.08

<http://www.seiko-sewing.co.jp/>