

LCWN single needle series

High speed, Cylinder bed, Large vertical axis hook,
Compound feed and walking foot, Reverse stitch, Lockstitch machines



Variety

LCWN-8BL

LCWN-8BL-TA

For thick thread

LCWN-8BL-CB

Small sized cylinder edge

LCWN-8BL-CB-TA

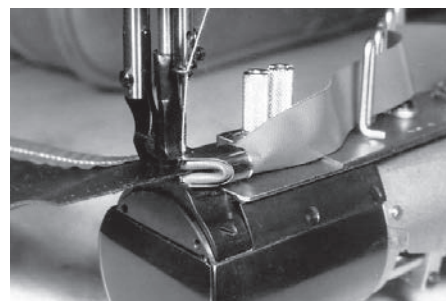
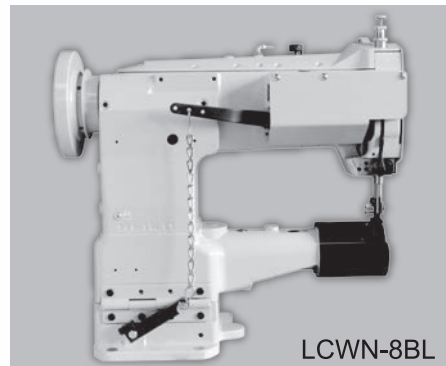
Small sized cylinder edge, for thick thread

LCWN-8BLV

Synchronized binding

LCWN-8BLV-CB

Synchronized binding, small sized cylinder edge



Synchronized binding machine

Applications

- For sewing medium to heavy weight fabrics, leather, synthetics, canvas and various coated and laminated materials.
- Suitable for sewing tubular and curved work such as shoes, boots, bags and handbags.



LCWN single needle series

Features (LCWN-□)

- Improved exposure of arm-feeding mechanism components which provides safety environment. (mechanical part of alternating presser foot, foot lifter mechanism(knee lifter) and presser foot spring)
- Semi-automatic lubrication system.
- Large vertical axis hook.
- Safety clutch prevents the hook from being damaged.
- Reverse stitching by stitch adjusting lever.
- Special designed cylinder edge for the special stitching on uneven materials. (8BL-CB, 8BL-CB-TA, 8BLV-CB)
- Synchronized binder available.(8BLV, 8BLV-CB)
- Automatic presser foot lift (FL) available as option.



LCWN-8BL-CB

Specifications (LCWN-□)

Variety	8BL	8BL-CB	8BLV	8BLV-CB	8BL-TA	8BL-CB-TA
Number of needle	Single needle					
Max. sewing speed	2,000 s.p.m.				1,800 s.p.m.	
Max. stitch length	1/4" (6.2 mm)					
Clearance under presser foot	by knee					
	by hand					
Needle bar stroke	5/8" (16 mm)					
Needle(standard)	21/64" (8.5 mm)					
Needle(standard)	1-25/64" (35.4 mm)				DPx17 (#22) , 135x17 (#140)	
Thread	#8 (standard)				#0 (Upper & Lower thread)	
Hook	Large vertical axis hook (2.0 times)					
Amount of lift of walking foot	1/8"-15/64" (3.2 - 6 mm) standard 1/8" (standard 3.2 mm)					
Thread take up lever	Slide type					
Lubrication	Semi-automatic lubrication type					
Cylinder size	3-1/32"(77 mm) dia.					
Working space	10-5/32"x 4-21/64" (258 x 110 mm)					
Motor	Clutch motor					
Net weight(Head only)	33 Kg				34 Kg	

NOTE: (1) Speed depends on threads, materials and type of operation

(2) Specifications subject to change without notice



SEIKO SEWING MACHINE CO., LTD.

2-13-6, Sakaecho, Funabashi-shi
Chiba Prefecture, 273-0018, Japan

Phone : +81-47-420-3561 (Overseas dept.)

Fax : +81-47-420-3560

E-mail : export@seiko-sewing.co.jp

Printed in Japan 2017.1

<http://www.seiko-sewing.co.jp/>